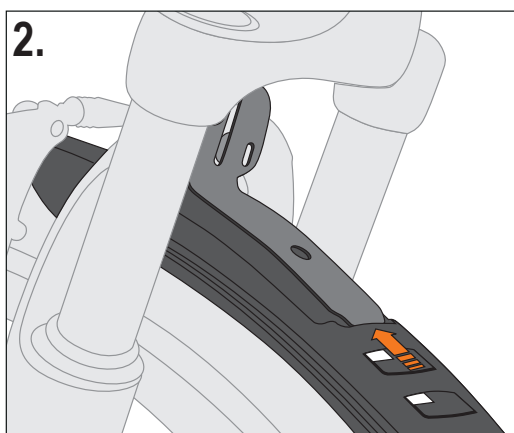
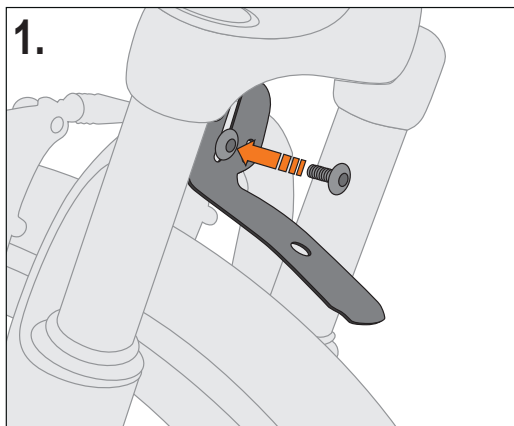
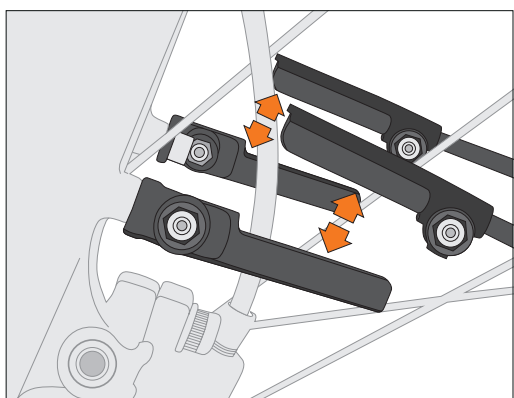
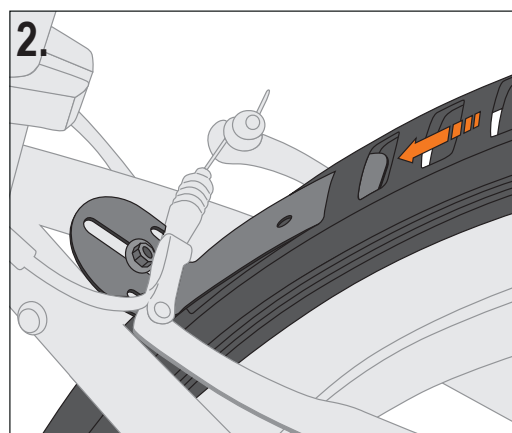
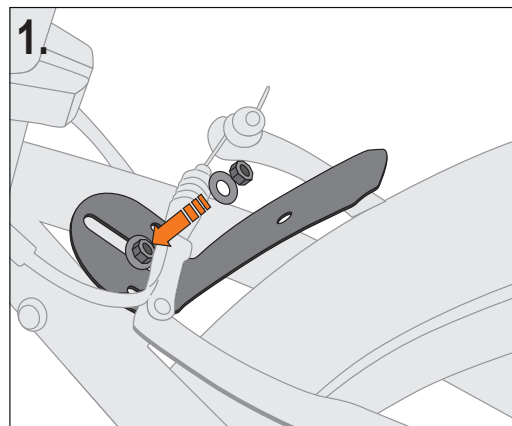


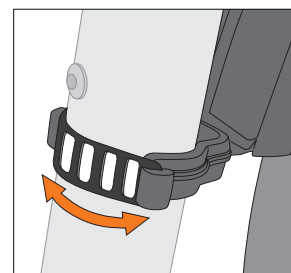
Front



Rear



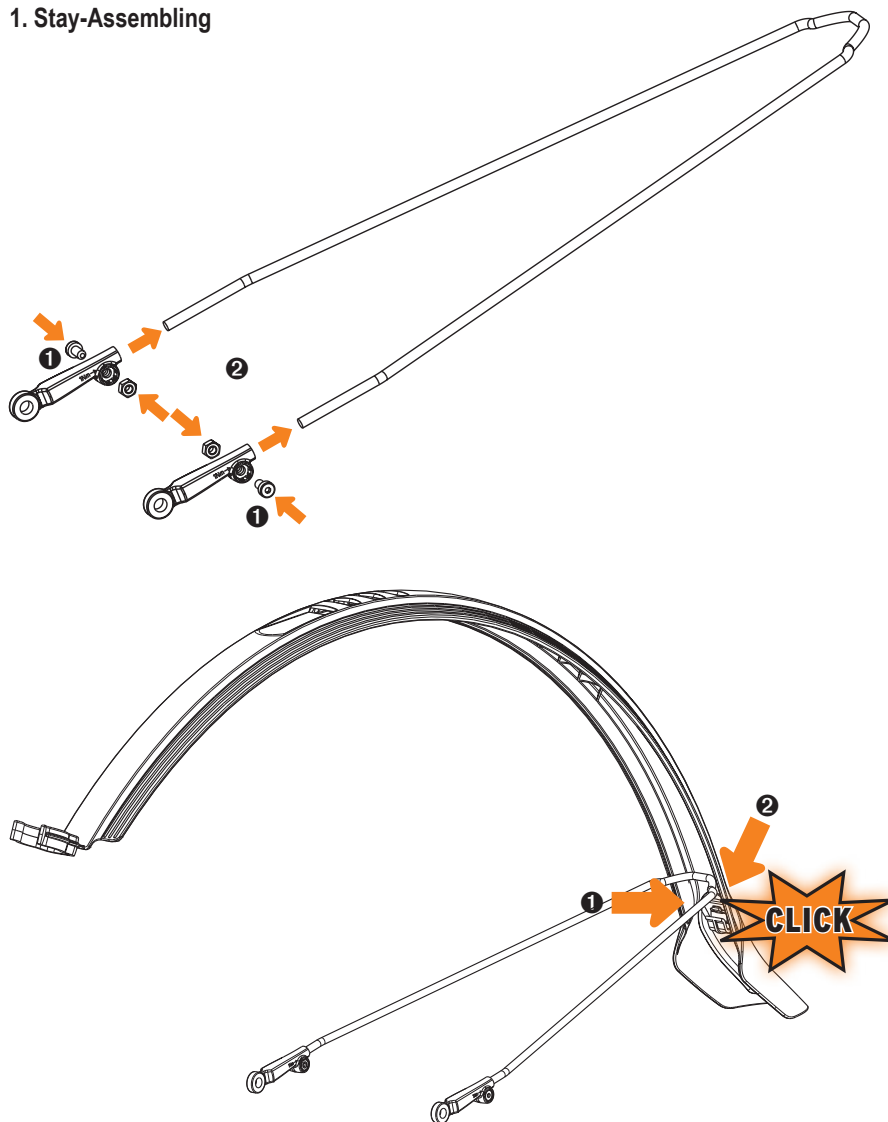
The ESC-system prevents locking of the front wheel when a foreign body should be caught between tyre and mudguard. The stays release in such a case automatically. These can be pressed in again afterwards.



**EN.** VELO 42 URBAN SET incl. stays

Easy to mount 26"-28" mudguard set for front and rear. Snap-in stainless for extra secure mounting. Suitable for frame tubes of 25-35 mm diameter.

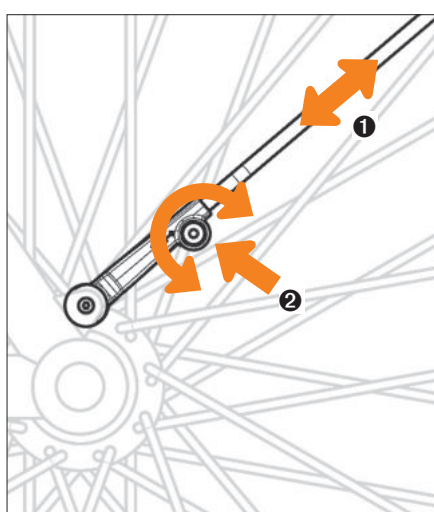
1. Stay-Assembling



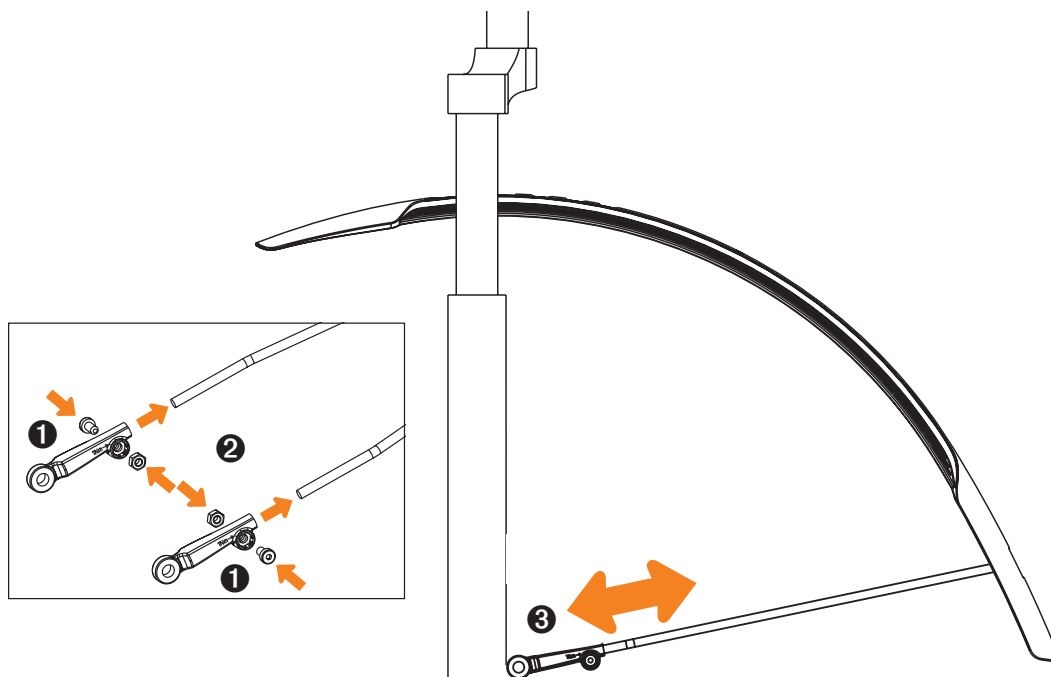
2. Frame-Assembling



3. Length-Adjustment



### Assembling front wheel



### Assembling at suntour suspension fork

