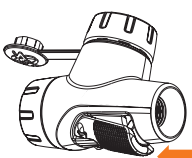
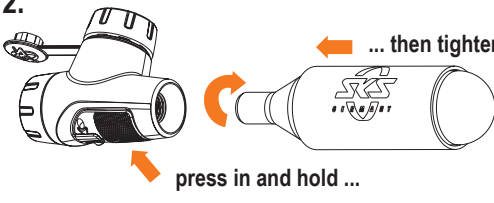
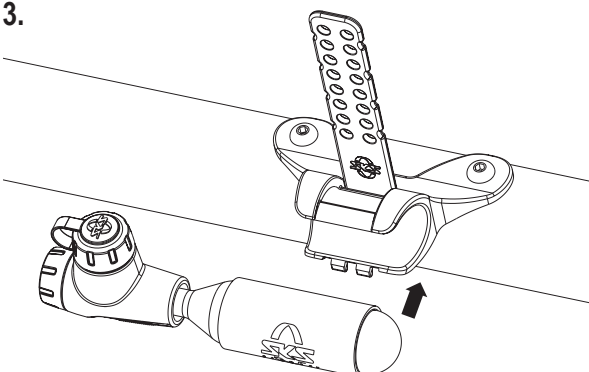




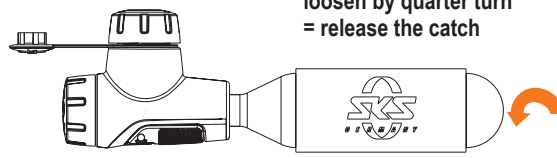
TRANSPORT

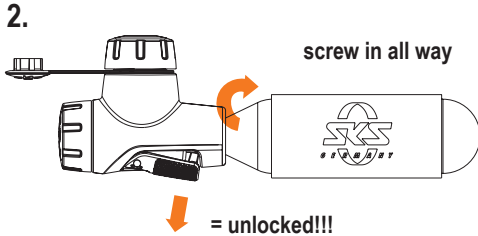
- 

Transport safety catch off-position
- 

... then tighten the cartridge
press in and hold ...
- 

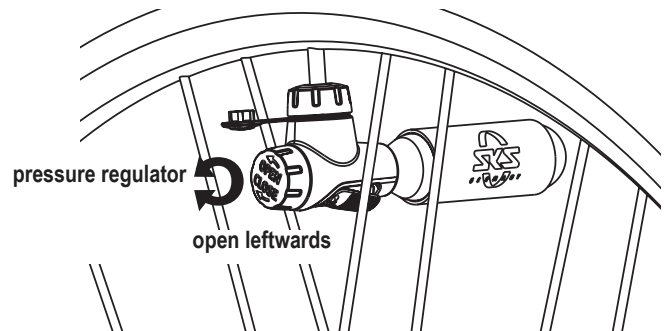
USE

- 

loosen by quarter turn
= release the catch
- 

screw in all way
= unlocked!!!

3. INFLATE



Tyre size:
Max. pressure:



700 c x 32
5 bar / 72 psi



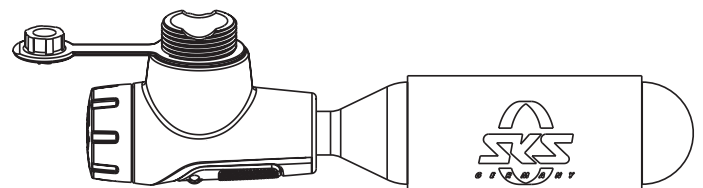
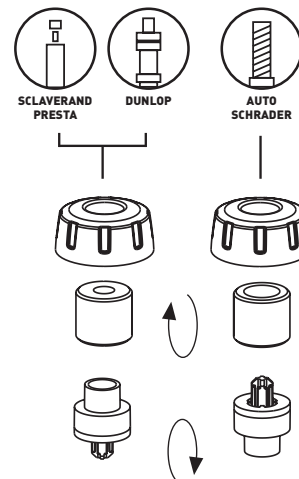
700 c x 23
7,5 bar / 108 psi



26" x 2.25
2,7 bar / 40 psi
27,5" x 2.25
2,0 bar / 29 psi
29" x 2.25
1,8 bar / 26 psi

with 16g Kartusche

REVERSIBLE VALVE HEAD



EN. SECURITY ADVICE AND INSTRUCTION MANUAL

Carbondioxide one-way capsule. Gold colour. Fully recyclable. Contents 22 cm³ pure CO₂ under pressure. Net weight: 16g CO₂. Gross weight 58g. Keep cool and dry. Keep out of sun and heat. Keep out of reach of children. Never trash full capsules. Tank is under high pressure.